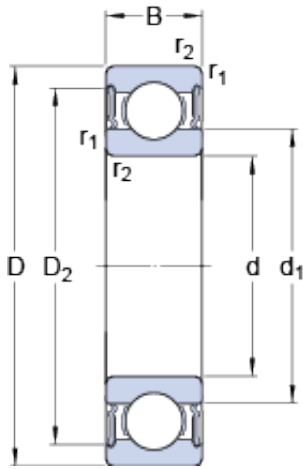




France Import Bearing Co., Ltd.



30 mm x 72 mm x 19 mm SKF W 6306-2RS1
deep groove ball bearings

Bearing No. W 6306-2RS1

W 6306-2RS1 Bearing 2D drawings and 3D CAD models

Size	72x30x19 mm
Bore Diameter	72 mm
Outer Diameter	30 mm
Width	19 mm
d	30 mm
D	72 mm
B	19 mm
d ₁	44.9 mm
D ₂	62.35 mm
r _{1,2} - min.	1.1 mm
d _a - min.	36.5 mm
d _a - max.	44.5 mm
D _a - max.	65.5 mm
r _a - max.	1 mm
Basic dynamic load rating - C	22.9 kN
Basic static load rating - C ₀	15 kN
Fatigue load limit - P _u	0.64 kN
Limiting speed	6300 r/min
Calculation factor - k _r	0.035
Calculation factor - f ₀	13.3
Category	Single Row Ball Bearings
Inventory	0.0
Manufacturer Name	SKF
Minimum Buy Quantity	N/A



France Import Bearing Co., Ltd.

Weight / Kilogram	0
EAN	7316571039282
Product Group	B00308
Enclosure	2 Seals
Precision Class	ABEC 1 ISO P0
Maximum Capacity / Filling Slot	No
Rolling Element	Ball Bearing
Snap Ring	No
Internal Special Features	No
Cage Material	Stainless Steel
Enclosure Type	Contact Seal
Internal Clearance	C0-Medium
Inch - Metric	Metric
Long Description	30MM Bore; 72MM Outside Diameter; 19MM Outer Race Width; 2 Seals; Ball Bearing; ABEC 1 ISO P0; No Filling Slot; No Snap Ring; No Internal Special Features; C0-Medium Internal Clearance; Stainless St
Other Features	Deep Groove NBR Seal
Category	Single Row Ball Bearing
UNSPSC	31171504
Harmonized Tariff Code	8482.10.50.68
Noun	Bearing
Keyword String	Ball
Manufacturer URL	http://www.skf.com
Manufacturer Item Number	W 6306-2RS1
Weight / LBS	0.77
Outer Race Width	0.748 Inch 19 Millimeter
Inner Race Width	0 Inch 0 Millimeter
Outside Diameter	2.835 Inch 72 Millimeter



France Import Bearing Co., Ltd.

Bore	1.181 Inch 30 Millimeter
d_1	44.9 mm
D_2	62.35 mm
$r_{1,2}$ min.	1.1 mm
d_a min.	36.5 mm
d_a max.	44.5 mm
D_a max.	65.5 mm
r_a max.	1 mm
Basic dynamic load rating C	22.9 kN
Basic static load rating C_0	15 kN
Fatigue load limit P_u	0.64 kN
Calculation factor k_r	0.035
Calculation factor f_0	13.3
Mass bearing	0.35 kg