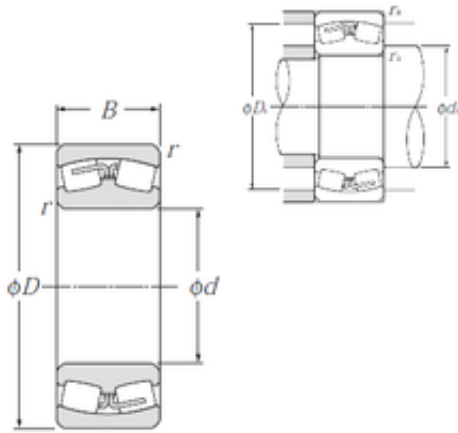




France Import Bearing Co., Ltd.

130 mm x 210 mm x 80 mm NTN 24126B spherical roller bearings



Bearing No. 24126B

Size	130x210x80 mm
Bore Diameter	130 mm
Outer Diameter	210 mm
Width	80 mm
d	130 mm
D	210 mm
B	80 mm
C	80 mm
r min.	2 mm
da min.	140 mm
Da max.	200 mm
ra max.	2 mm
Weight	11 Kg
Basic dynamic load rating (C)	585 kN
Basic static load rating (C0)	995 kN
(Grease) Lubrication Speed	1 500 r/min
(Oil) Lubrication Speed	2 000 r/min
Calculation factor (e)	0,38
Calculation factor (Y0)	1,74
Calculation factor (Y1)	1,78

24126B Bearing 2D drawings and 3D CAD models