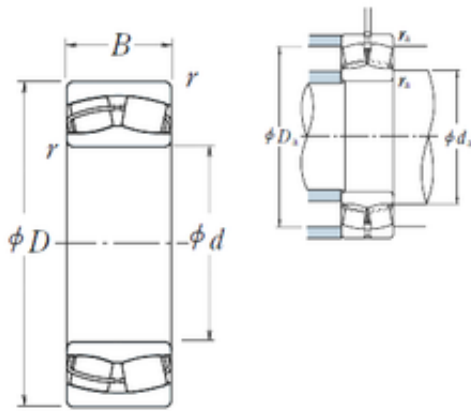




France Import Bearing Co., Ltd.



100 mm x 180 mm x 60,3 mm NSK 23220CE4 spherical roller bearings

Bearing No. 23220CE4

23220CE4 Bearing 2D drawings and 3D CAD models

Size	100x180x60.3 mm
Bore Diameter	100 mm
Outer Diameter	180 mm
Width	60,3 mm
d	100 mm
D	180 mm
B	60,3 mm
C	60,3 mm
r min.	2,1 mm
da min.	112 mm
da max	118 mm
Da min	155 mm
Da max.	168 mm
ra max.	2 mm
Weight	6,6 Kg
Basic dynamic load rating (C)	420 kN
Basic static load rating (C0)	605 kN
(Grease) Lubrication Speed	1600 r/min
(Oil) Lubrication Speed	2200 r/min
Calculation factor (e)	0,32
Calculation factor (Y0)	2,1
Calculation factor (Y2)	3,2
Category	Spherical Roller Bearings
Inventory	0.0
Manufacturer Name	NSK



France Import Bearing Co., Ltd.

Minimum Buy Quantity	N/A
Weight / Kilogram	6.53
EAN	0029176027628
Product Group	B04311
Internal Clearance	C0-Medium
Mounting Method	Shaft Mount
Rolling Element	Spherical Roller Bearing
Bore Profile	Straight
Cage Material	Steel
Enclosure	Open
Number of Rows of Rollers	Double Row
Relubricatable	Yes
Withdrawal Sleeve	Not Applicable
Inch - Metric	Metric
Long Description	100MM Straight Bore; 180MM Outside Diameter; 60MM Width; C0-Medium Clearance; Shaft Mount; Double Row of Spherical Roller Bearings; Steel Cage Material; Open Enclosure; Relubricatable
Category	Spherical Roller Bearing
UNSPSC	31171510
Harmonized Tariff Code	84823080
Noun	Bearing
Keyword String	Spherical
Manufacturer URL	http://www.nskamericas.com
Manufacturer Item Number	23220CE4
Weight / LBS	6.53
Width	2.374 Inch 60.3 Millimeter
Bore	3.937 Inch 100 Millimeter
Outside Diameter	7.087 Inch 180 Millimeter
Adapter Part Number	Not Applicable Inch Not



France Import Bearing Co., Ltd.

	Applicable Millimeter
bore diameter:	100 mm
maximum rpm:	2200 RPM
outside diameter:	180 mm
operating temperature range:	Maximum of +200 ° C
overall width:	4.3800 in
cage material:	Steel
bore type:	Straight
bearing material:	Steel
outer ring type:	Not Split
cage type:	Inner Ring Guided
internal clearance:	C0
precision rating:	RBEC 1 (ISO Class Normal)
closure type:	Open
finish/coating:	Uncoated
lubrication hole type:	Lubrication Groove & Hole
outer ring width:	60.3 mm
dynamic load capacity:	420000 N
fillet radius:	2.1 mm
static load capacity:	605000 N
series:	232
Y3	2.1
hidYobi	23220CE4
LangID	1
Y1	2.1
D_	180
Y2	3.2
Macha rpm	0
B_	60.3
da min	112
hidTable	ecat_NSSPHR



France Import Bearing Co., Ltd.

Oil rpm	2200
Y0	2.1
GRS rpm	1600
ra	2
TSR rpm	2800
C0	605
DE_	161.394
X0	1
Prod_Type3	SRB_CTB_CB
X1	1
X2	0.67
SIR	24
e	0.32
DA_	20
bomp	23220CE4
Z_	18
ALP2	0
ALP1	12
ALP3	0
D_a max	168
D_a min	155
yobi	23220CE4
ALPHA_	0.209
SDM_	141.831
r	2.1
KBRG	2322
SBRG	32
DI_	122.268