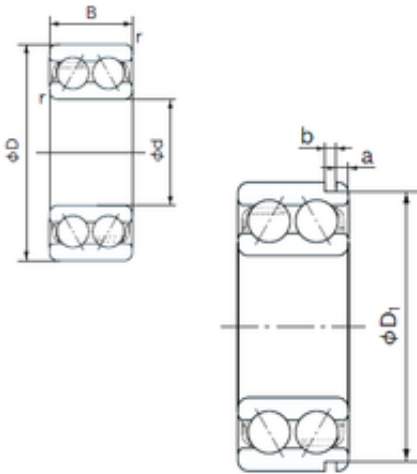




# France Import Bearing Co., Ltd.



## 100 mm x 180 mm x 60.3 mm NACHI 5220N angular contact ball bearings

Bearing No. 5220N

5220N Bearing 2D drawings and 3D CAD models

Size	100x180x60.3 mm
Bore Diameter	100 mm
Outer Diameter	180 mm
Width	60.3 mm
d	100 mm
D	180 mm
B	60.3 mm
C	60.3 mm
a	5.69 mm
b	3.5 mm
r min.	2.1 mm
D1	173.66 mm
Weight	5.78 Kg
Basic dynamic load rating (C)	168 kN
Basic static load rating (C0)	159 kN
(Grease) Lubrication Speed	2400 r/min
Bore Type	Cylindrical Bore
Enclosure	Open
Configuration	Double Row
Bore Size	100 mm
Outside Diameter	180 mm
Width	60.3 mm
Fillet Radius/Chamfer	2.1 mm
Groove Width	3.5 mm
Groove Diameter	173.7 mm



## France Import Bearing Co., Ltd.

a (max)	5.7 mm
Dynamic Load Rating	168,000 N
Static Load Rating	159,000 N
Limiting Speed - Grease	2,400 rpm
Limiting Speed - Oil	3,200 rpm
Radial Clearance	0.012 to 0.036 mm
da	112 mm
Da	168 mm
Dx	195 mm
ra	2 mm
Cy	8.4 mm