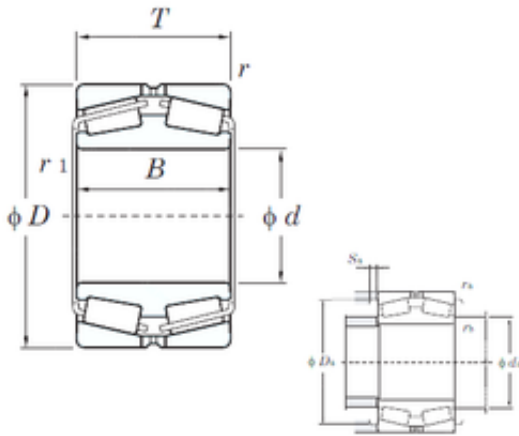




## France Import Bearing Co., Ltd.

### 100 mm x 165 mm x 52 mm KOYO 45320 tapered roller bearings



Bearing No. 45320

45320 Bearing 2D drawings and 3D CAD models

|                               |               |
|-------------------------------|---------------|
| Size                          | 100x165x52 mm |
| Bore Diameter                 | 100 mm        |
| Outer Diameter                | 165 mm        |
| Width                         | 52 mm         |
| d                             | 100 mm        |
| D                             | 165 mm        |
| T                             | 52 mm         |
| B                             | 52 mm         |
| r min.                        | 2 mm          |
| r1 min.                       | 2,5 mm        |
| da max                        | 118,8 mm      |
| Db min.                       | 147,8 mm      |
| ra max.                       | 2 mm          |
| rb max.                       | 2 mm          |
| Db max                        | 155 mm        |
| Weight                        | 4,26 Kg       |
| Basic dynamic load rating (C) | 237 kN        |
| Basic static load rating (C0) | 384 kN        |
| (Grease) Lubrication Speed    | 1800 r/min    |
| (Oil) Lubrication Speed       | 2300 r/min    |
| Calculation factor (e)        | 0,35          |
| Calculation factor (Y0)       | 1,91          |
| Bearing No.                   | 45320         |
| r(min)                        | 2             |
| r1(min)                       | 2.5           |



## France Import Bearing Co., Ltd.

|                   |      |
|-------------------|------|
| Cr                | 298  |
| C0r               | 384  |
| Cu                | 28.0 |
| Grease lub.       | 1800 |
| Oil lub.          | 2300 |
| da(max)           | 119  |
| Da(max)           | 155  |
| Da(min)           | 148  |
| Sa(min)           | 3.9  |
| ra(max)           | 2    |
| rb(max)           | 2    |
| e                 | 0.35 |
| Y2                | 1.95 |
| Y3                | 2.90 |
| Y0                | 1.91 |
| (Refer.) Mass(kg) | 4.26 |